

The Bionix Max<sup>3</sup> Plus Breast Board is intended to be used for the positioning and re-positioning of patients undergoing or receiving a course of external beam radiation therapy for the treatment of cancer and other diseases.

Caution: Federal law restricts this device to sale by or on the order of a licensed physician.

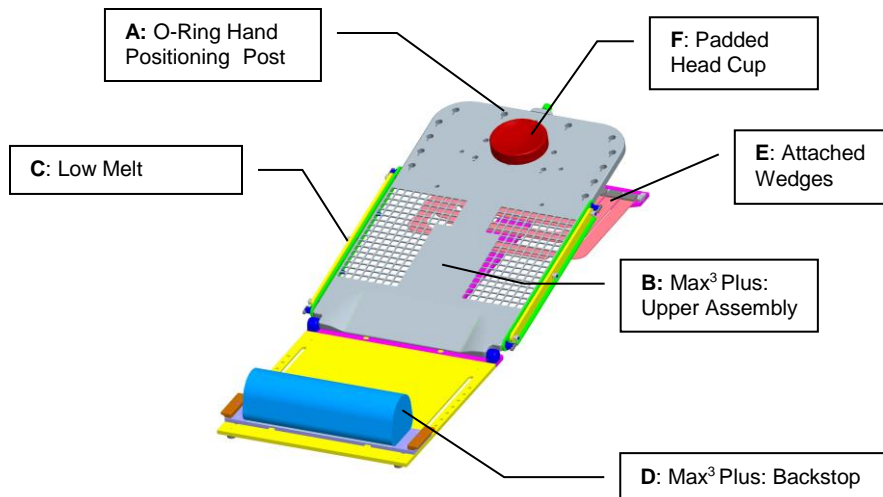
### COMPONENTS

- A: O-Ring Hand Positioning Post
- B: Max<sup>3</sup> Plus Upper Assembly
- C: Low Melt handle
- D: Max<sup>3</sup> Plus Backstop
- E: Attached Wedges
- F: Padded Head Cup

**Figure 1**  
 I: Wedge Release Pin

**Figure 2**  
 J: Backstop Pad  
 K: Release Handle  
 L: Indexing Holes

### ASSEMBLY DIAGRAM



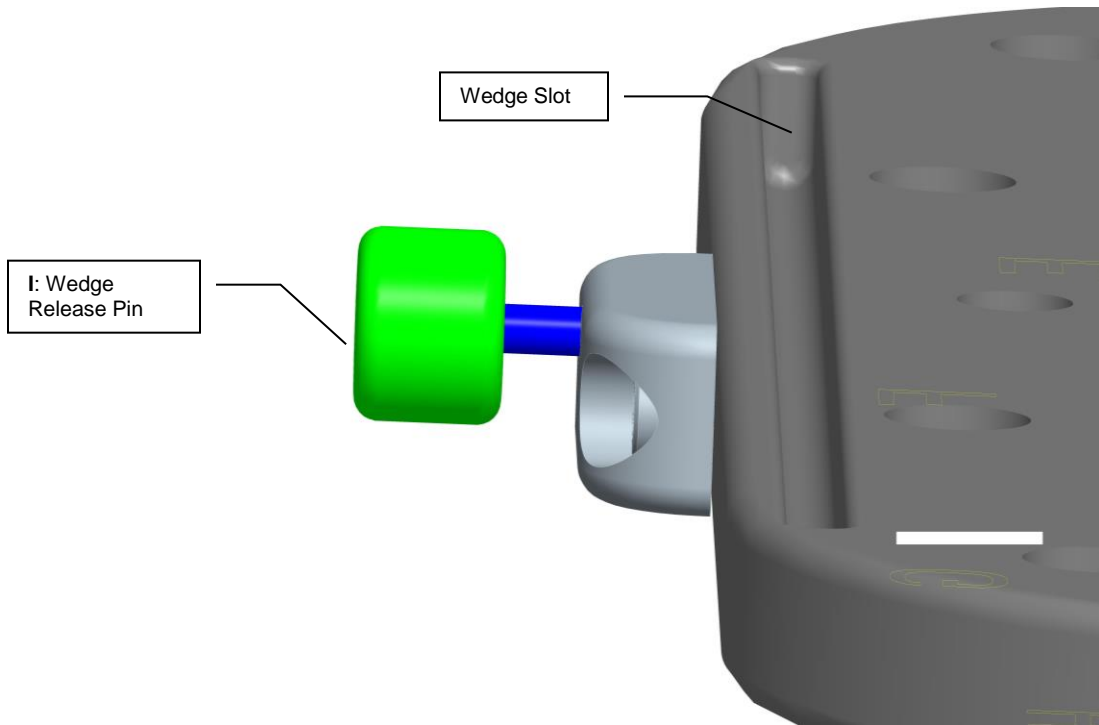
### OPERATING INSTRUCTIONS

**Note: The Silverman Head Cups must be punched to be used with the Locating Screws**

1. Position the Max<sup>3</sup> Plus Upper Assembly (B) with backstop assembly on the treatment table (E) as shown in assembly diagram.
  - a. Note - The Max<sup>3</sup> Plus Upper Assembly (B) indexes on top of the Max<sup>3</sup> Plus Backstop (D) to reduce movement.
  - b. Optional: Use the Bionix SecureFit Bar (F), RT-5010 or RT-7010 in Carbon Fiber.
2. Position Punched Silverman or Padded Head Cup (See holes labeled **1** through **9** in center of upper board) on the Max<sup>3</sup> Plus Breast Board.



3. See the assembly diagram and “Figure 1“, Position the attached wedges (G) of the Max<sup>3</sup> Plus Breast Board to the desired angle, 7°, 12°, 17° or 23°, pull the wedge release pin (I), lower the Upper Assembly (B) and Align the attached wedge into the “Wedge Slot”
4. Then press the Wedge Release Pin (I) in to secure the wedge in place.



**Figure 1 - Wedge Release Close-up (from underside)**

5. Move and Place O-ring hand positioning post (A) into the perimeter hole of your choice. These are labeled **A** through **H**.
6. Optional: The Max<sup>3</sup> is designed to work with a variety of other BIONIX products for added immobilization including, Butterfly Boards, SecureVac Bags, Disposable Low Melt Head Frames and Reusable Low Melt Handles. Contact your customer service representative for more details.
7. Move the Backstop Pad (J) to the desired position by lifting and holding the release handles, then move the backstop pad (J) to the desired indexing hole (L) and press the release handles down with a slight back and forth movement to lock the pad into place. See Figure 2

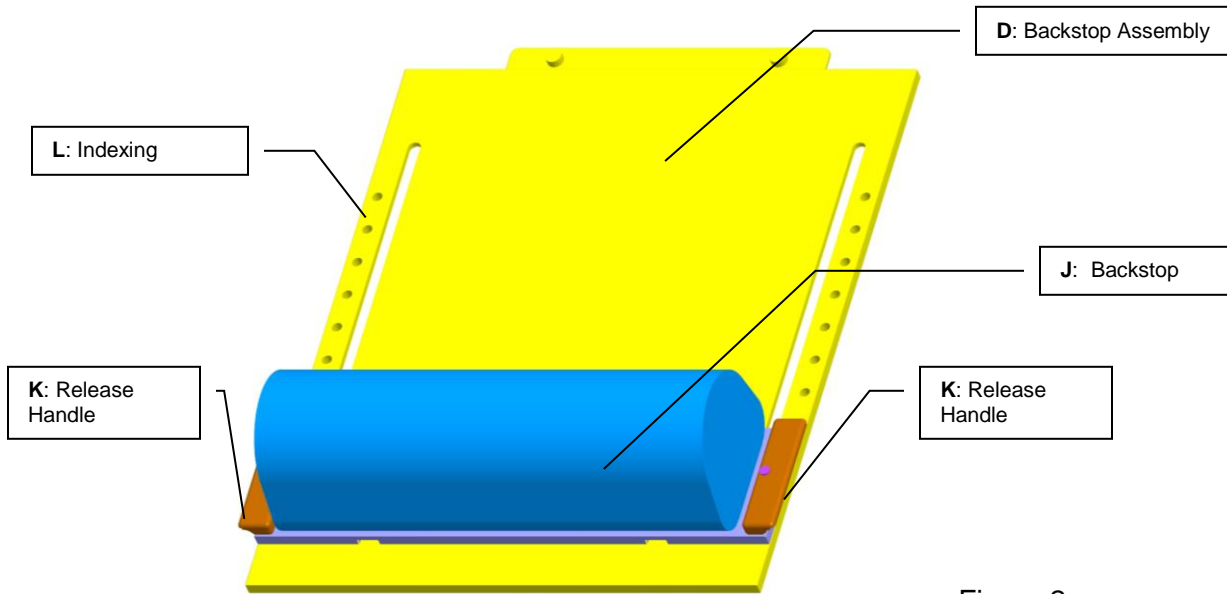


Figure 2

**Note:** Refer to the instructions for the Hand post Assembly and Low Melt handle for further instruction on these products.

**CLEANING INSTRUCTIONS**

To clean, wipe thoroughly with water based antiseptic cleaner or foam. Allow to dry before next patient use.

**Notice:** Do not use alcohol based cleaners on this product.

Bionix Radiation Therapy  
 5154 Enterprise Blvd.  
 Toledo, OH 43612  
 Toll Free: 800-624-6649  
 Fax: 800-455-5678  
 www.BionixRT.com

European Authorized Representative:  
**Obells s.a.**  
 34, Av. De Tervuren, bte 44  
 Tel: (32) 2.732.59.54  
 Fax: (32) 2.732.60.03

